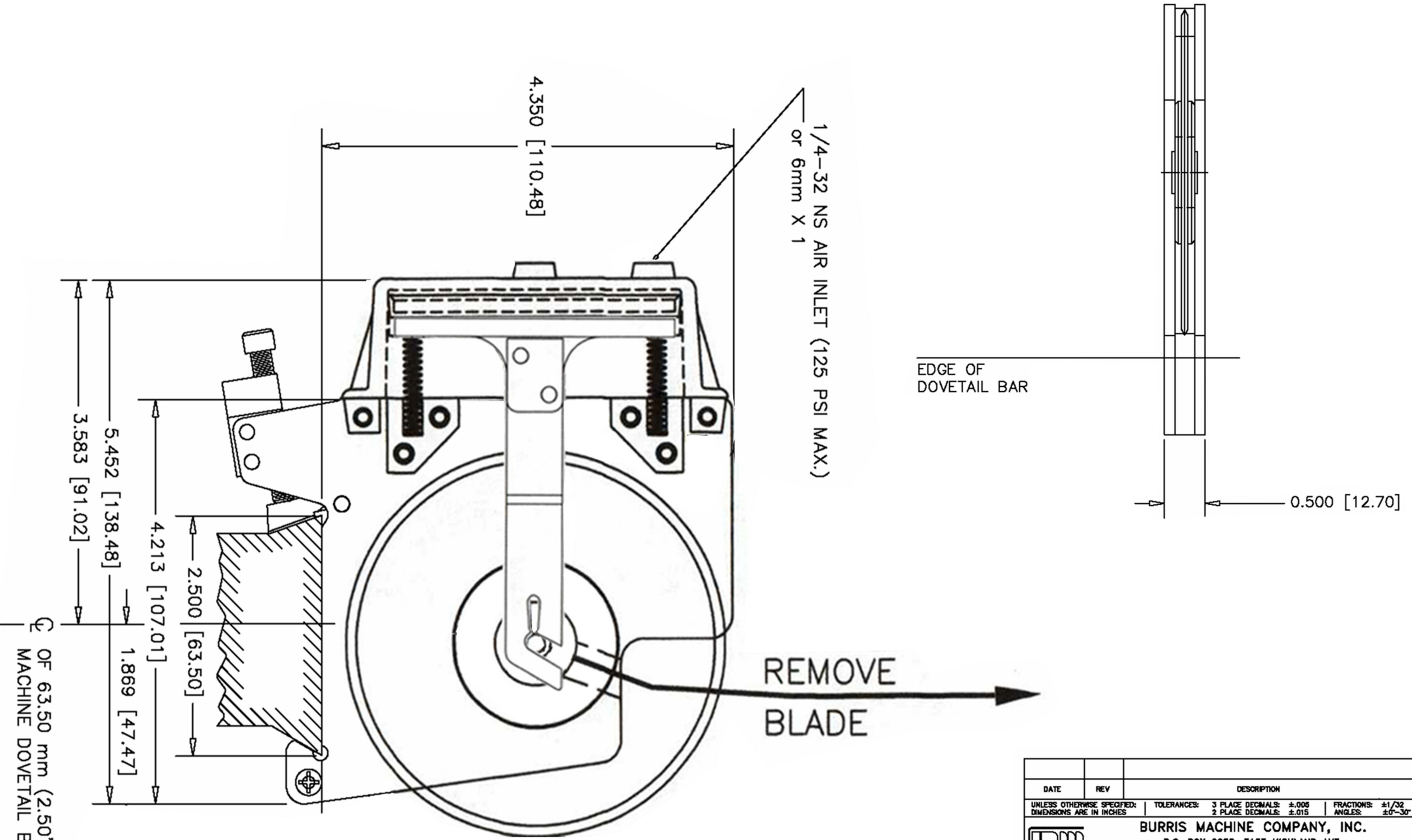



Model 34-Back Pullout European Style Knife Holder - No. 5036



DATE	REV	DESCRIPTION			
UNLESS OTHERWISE SPECIFIED:		TOLERANCES:	3 PLACE DECIMALS: ±.005	FRACTIONS: ±1/32	
DIMENSIONS ARE IN INCHES			2 PLACE DECIMALS: ±.015	ANGLES: ±0°-30°	
 BURRIS MACHINE COMPANY, INC. P.O. BOX 2858, 3155 HIGHLAND AVE. HICKORY, NC 28601 PHONE 828/322-6914 FAX 828/324-2793 www.burrismachineco.com e-mail: burris@abts.net		TITLE :			MODEL 34 KNIFE HOLDER
		USED ON:			5036 - BPO
JOB NUMBER:		MATERIAL :	SHT. SIZE	DRAWING NUMBER	REVISION
SCALE:					
DATE:					
DRAWN BY:					
CHECKED BY:					
SHEET _____ OF _____					