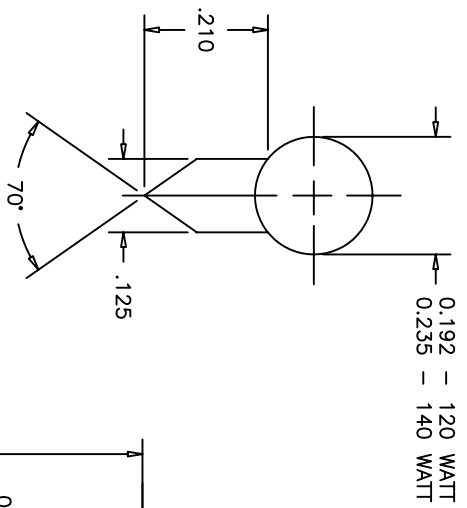
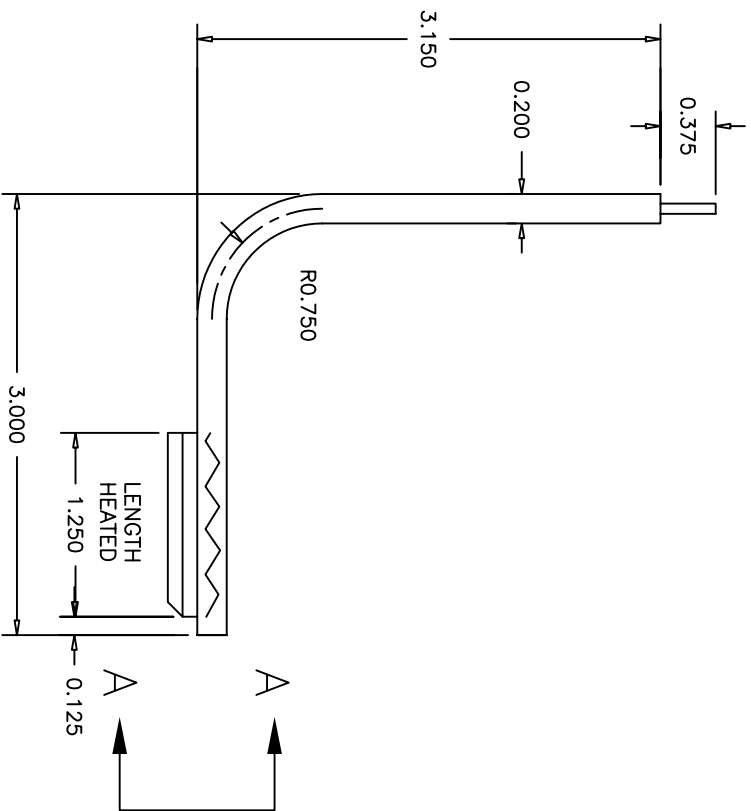
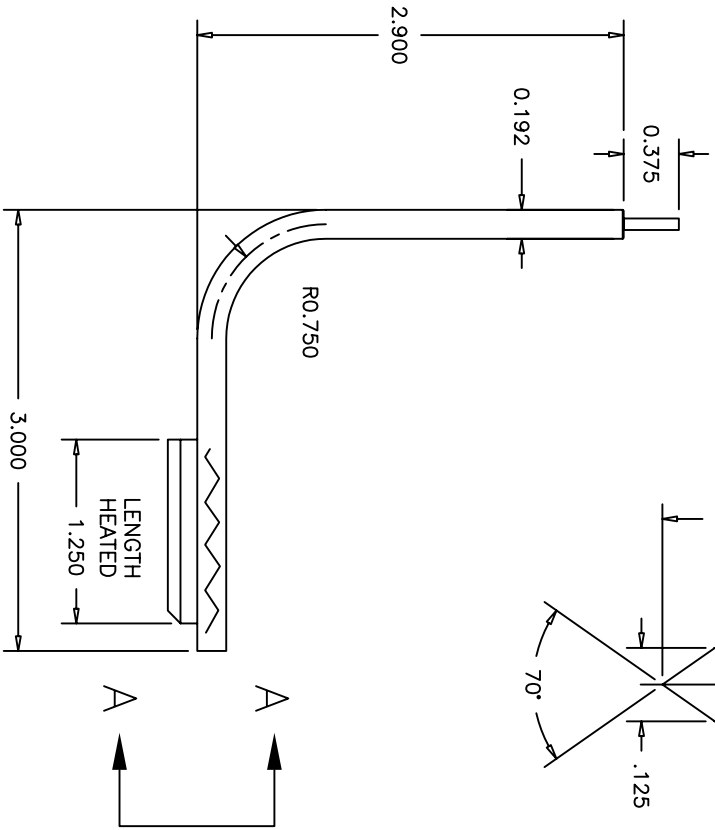


A-A



0.192 - 120 WATT
0.235 - 140 WATT



DETAIL	SHEET	QTY	DESCRIPTION	MATL.
UNLESS OTHERWISE SPECIFIED: TOLERANCES: 3 PLACE DECIMALS & .000 FRACTIONS: 1/32, 1/16, 3/32, 1/8, 1/4 DIMENSIONS ARE IN INCHES				
BURRIS MACHINE COMPANY, INC. P.O. BOX 2855, 1631 MAIN AVENUE DRIVE, NV HICKORY, NC 28601 PHONE 828/322-6914 FAX 828/324-2793 www.burrismachine.com e-mail: burris@burrismachine.com				
JOB NUMBER: _____ TITLE: HOT ELEMENT				
SCALE: _____ FILE NAME: _____				
DATE: _____ DRAWN BY: _____				
CHECKED BY: _____ DRAWING NUMBER: _____				
SHEET: <u>01</u> OF <u>01</u> REVISION: _____				