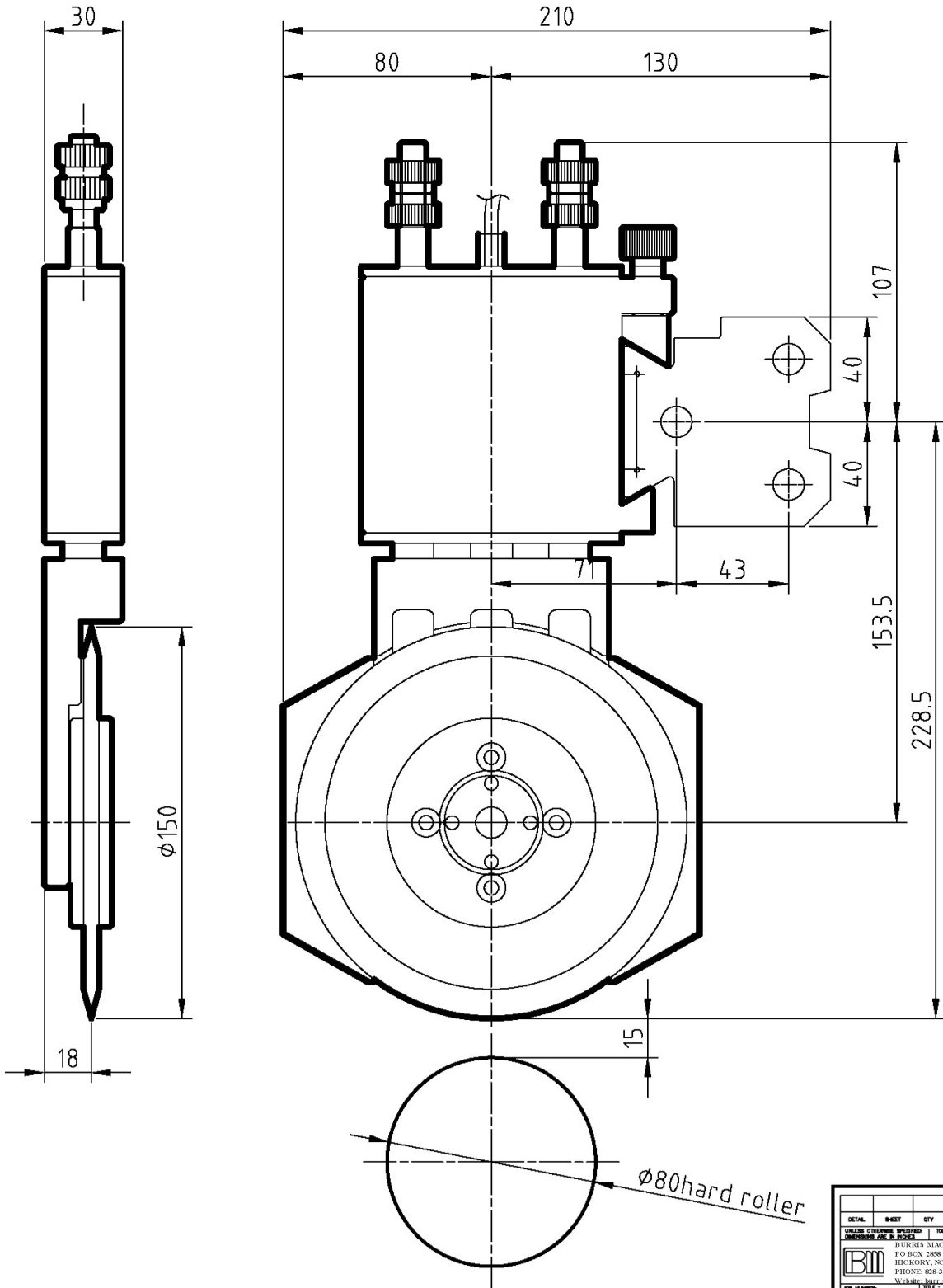


MODEL # 6510-SC HEAVY DUTY SCORE CUT KNIFE



DETAIL	SHEET	QTY	DESCRIPTION	MATL.
			3 PLAZE SIDEWALK ALLOY	
			2 PLAZE SIDEWALK ALLOY	
			ANCHOR	
BURRELL MACHINE COMPANY, INC. PO BOX 2888 / 1651 MAIN AVE. DR NW HICKORY, NC 28601 PHONE: 828.322.6914 FAX: 828.324.2793 Website: http://www.burrell-machine.com email: bmj@burrell-machine.com				
JOB NUMBER: _____ SCALE: _____ DATE: _____ DRAWN BY: _____ CHECKED BY: _____				
			SHEAR KNIFE HOLDER MODEL: 6510-SC	
			DRAWING NUMBER	REVISION