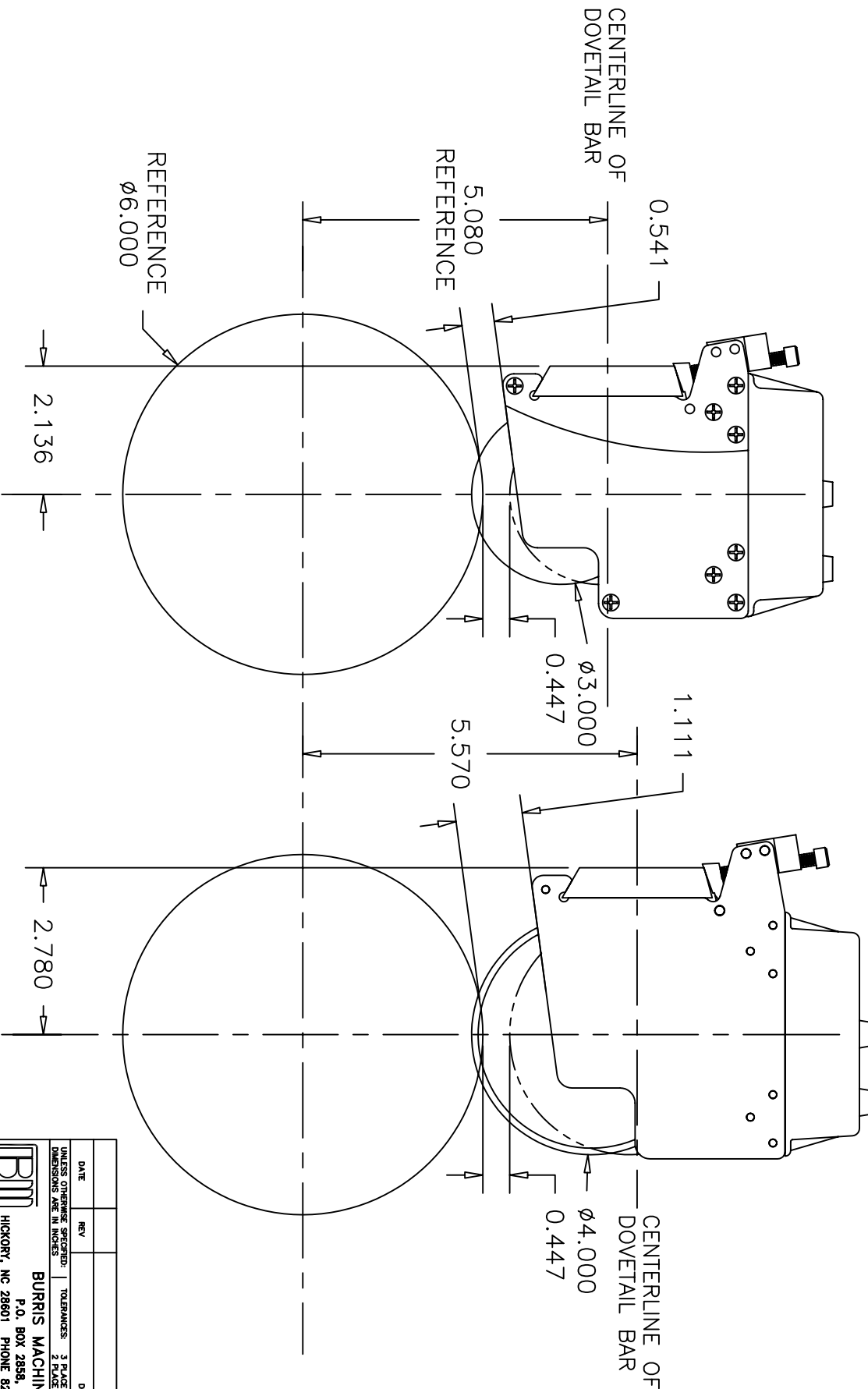


COMPARISON OF MODEL 28 TO MODEL 34

MODEL 28

MODEL 34



DATE	REV	DESCRIPTION
		UNLESS OTHERWISE SPECIFIED: TOLERANCES: 3 PLACE DECIMALS: ± 0.005 FRACTIONS: $\frac{1}{16}$, $\frac{1}{32}$
		DIMENSIONS ARE IN INCHES 2 PLACE DECIMALS: ± 0.015 ANGLES: 30° , 45° , 90°
<p>BURRIS MACHINE COMPANY, INC. P.O. BOX 2858, 3155 HIGHLAND AVE. HICKORY, NC 28601 PHONE 828/322-6914 FAX 828/324-2793 e-mail: burris@bma.net www.burrismachco.com</p>		
JOB NUMBER:	TITLE:	
SCALE:	USED ON:	
DATE:		
DRAWN BY:		
CHECKED BY:		
MATERIAL:	SHT. SIZE	DRAWING NUMBER
SHEET	OF	REVISION