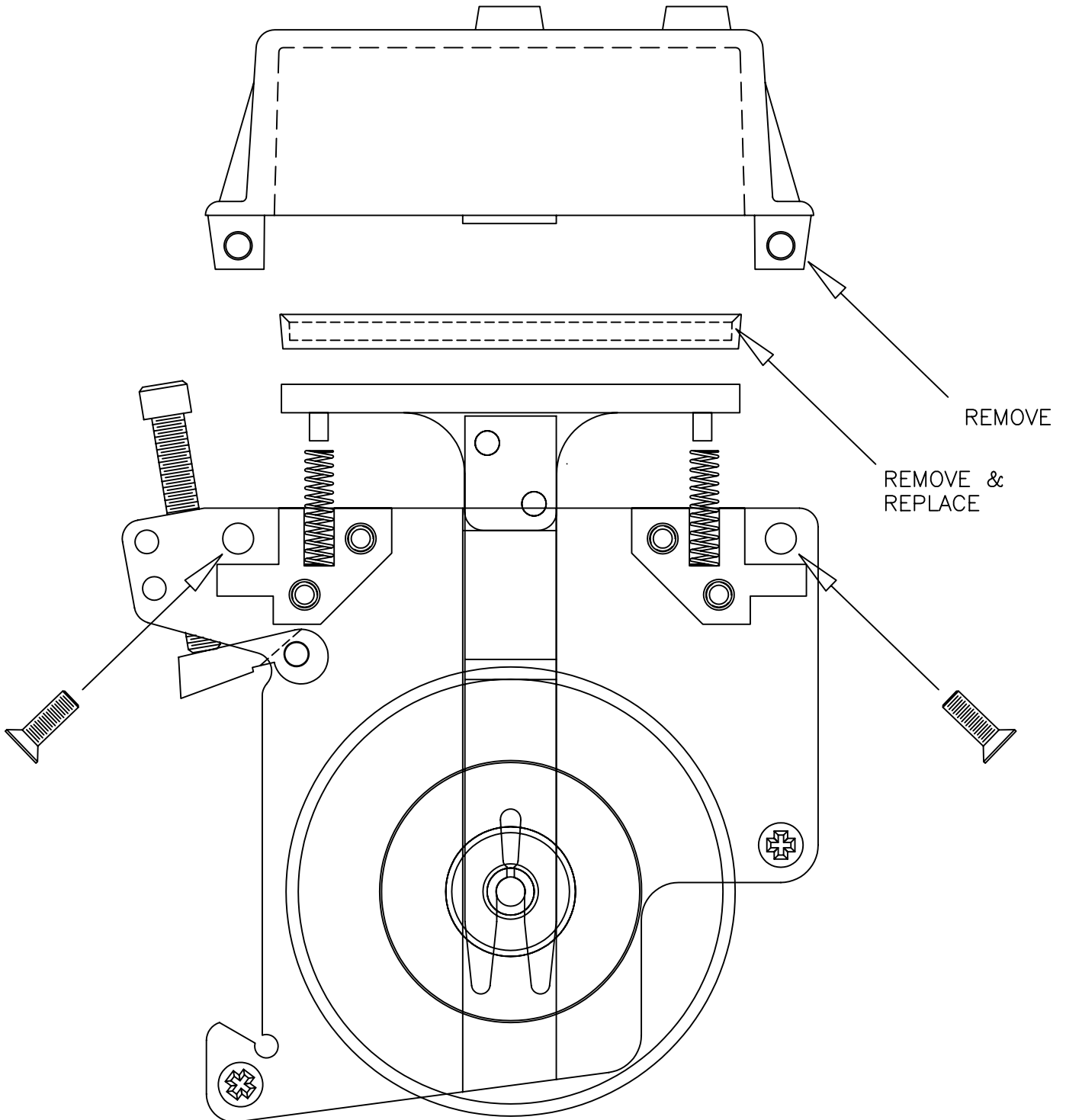



Knife Holder parts replacement instructions.
Remove only the two screws shown. The Knife Holder
side plates should never be disassembled.



REMOVE ONLY THE TWO SCREWS SHOWN
 REMOVE CYLINDER
 REMOVE PISTON CUP
 APPLY SILICONE GREASE IN CYLINDER
 INSERT NEW PISTON CUP
 REPLACE CYLINDER AND SCREWS

DETAIL	SHEET	QTY	DESCRIPTION	MAT'L.
UNLESS OTHERWISE SPECIFIED: DIMENSIONS ARE IN INCHES		TOLERANCES:	3 PLACE DECIMALS: ±.005 2 PLACE DECIMALS: ±.015	FRACTIONS: ±1/32 ANGLES: ±30°
		BURRIS MACHINE COMPANY, INC. P.O. BOX 2858, 3155 HIGHLAND AVE. HICKORY, NC 28601 PHONE (828) 322-6914 FAX (828) 324-2793 www.burrismachineco.com e-mail: burris@burrismachineco.com		
JOB NUMBER:	TITLE: MODEL 28 PISTON CUP REPLACEMENT			
SCALE:	USED ON:			
DATE:				
DRAWN BY:				
CHECKED BY:	MATERIAL:	SHT. SIZE	DRAWING NUMBER	REVISION
SHEET ___ OF ___				