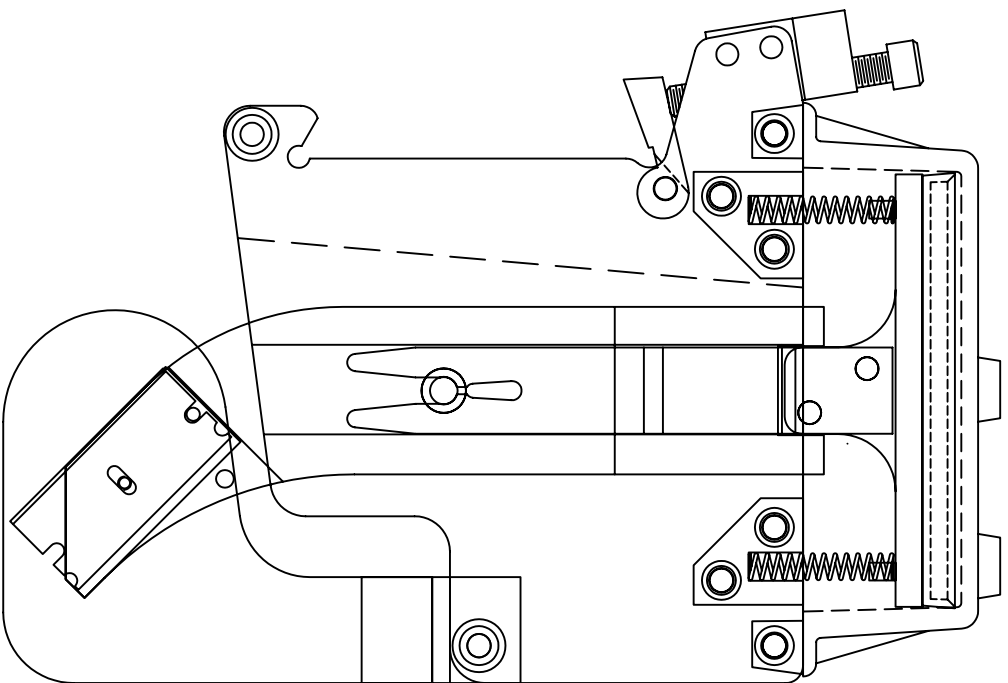



WEB

GUARDED RAZOR BLADE ADAPTER



DETAIL	SHEET	QTY	DESCRIPTION	MATL.
UNLESS OTHERWISE SPECIFIED: TOLERANCES: 3 PLACE DECIMALS ±.005 RAOCTIONS: ±1/32				
DIMENSIONS ARE IN INCHES 2 PLACE DECIMALS ±.015 ANGLES: ±.01				
 BURRIS MACHINE COMPANY, INC. P.O. BOX 2858, 3155 HIGHLAND AVE. HICKORY, NC 28601 PHONE (828) 322-8914 FAX (828) 324-2793 www.burrtsmchco.com e-mail: burrtis@burrtsmchco.com				
JOB NUMBER: _____ TITLE: _____				
SCALE: _____ USED ON: _____				
DATE: _____				
DRAWN BY: _____				
CHECKED BY: _____				
UNIVERSAL: _____				
SHEET _____ OF _____				
			SHIT. SIZE	DRAWING NUMBER
				REVISION