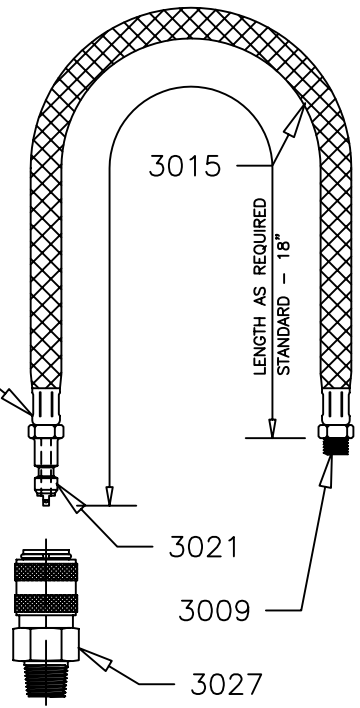
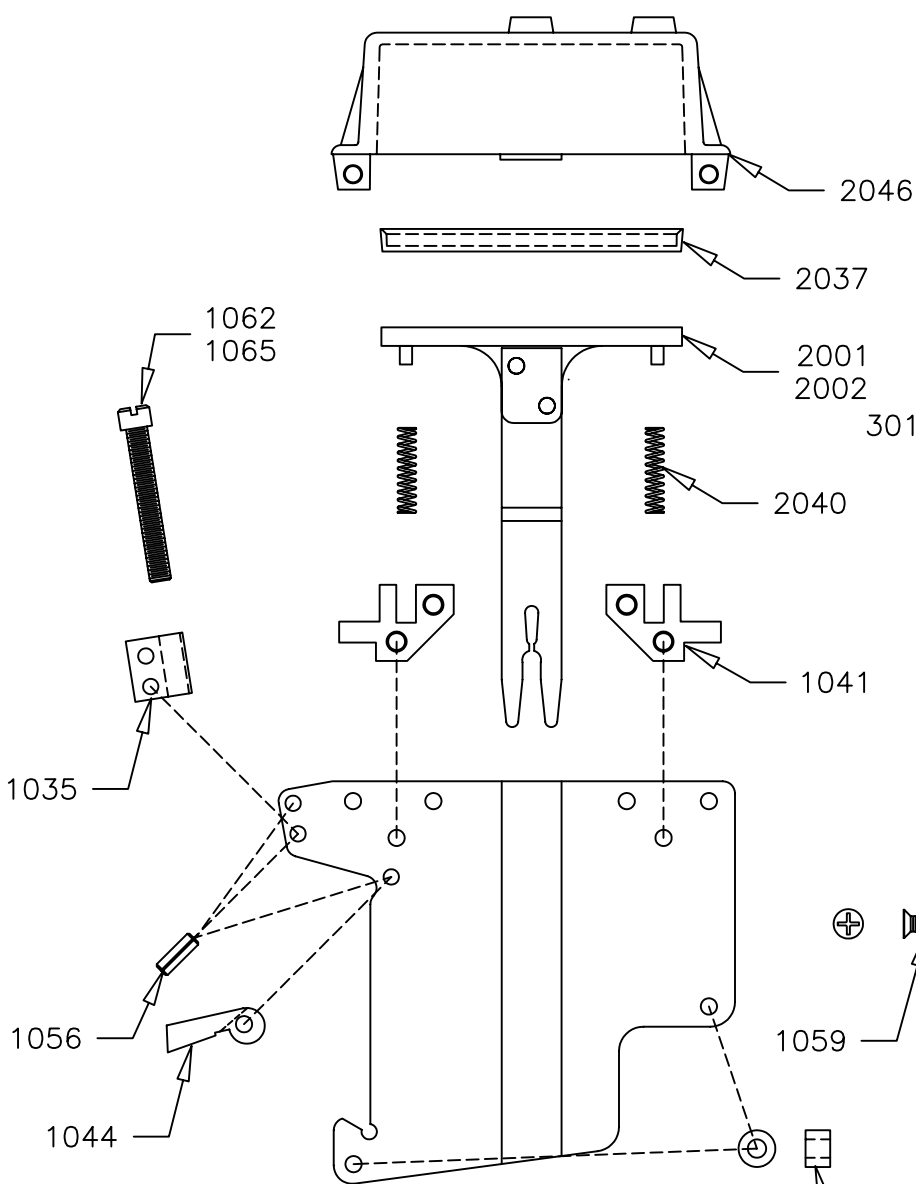
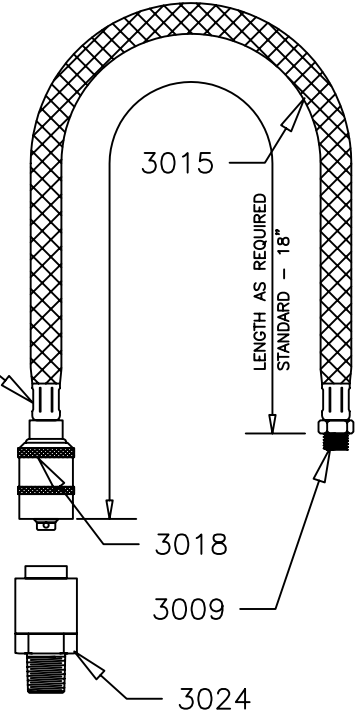


"EUROPEAN"
COUPLING
3006 (ASSEMBLY)



"AMERICAN"
COUPLING
3003 (ASSEMBLY)



DETAIL	SHEET	QTY	DESCRIPTION	MATL.
UNLESS OTHERWISE SPECIFIED: TOLERANCES: 3 PLACE DECIMALS: ±.005 FRACTIONS: 1/32				
DIMENSIONS ARE IN INCHES: 2 PLACE DECIMALS: ±.015 ANGLES: 1/2-3/4				
BURRIS MACHINE COMPANY, INC.				
P.O. BOX 2858, 3155 HIGHLAND AVE.				
HICKORY, NC 28601 PHONE 828/322-8914 FAX 828/324-2793				
www.burrismachineco.com e-mail: burris@burrismachineco.com				
JOB NUMBER:		TITLE:		
SCALE:		FILE NAME:		
DATE:		DRAWN BY:		
CHECKED BY:		DRAWING NUMBER:		REVISION
SHEET ___ OF ___				